

RIDGID®

Underground Technologies



SeekTech™ SR-20 Line Locator

Locate underground utility lines with speed, accuracy and confidence.



Get To The Point. Faster!



Electric

Cable

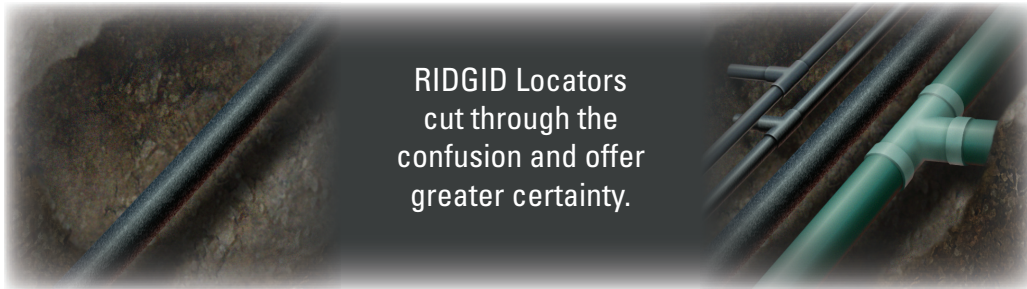
Water

Gas

Datacom

Telephone

RIDGID® SeekTech™ SR-20 Line Locator



If life were simple,...

...You need the right tool.
You need RIDGID!

RIDGID *SeekTech*

All Locators Should Be This Good!

Ridge Tool's new line of locating equipment meets the most demanding needs of the locating professional by delivering...

■ **Speed** ■ **Accuracy** ■ **Confidence**

Introducing RIDGID SeekTech SR-20 Line Locator

Advanced processing power, combined with an innovative mapping display, allows you to find buried utilities with Speed, Accuracy and Confidence.

The SR-20 Provides: **Advanced Technology**

- Omni-directional antennas.
- Innovative signal processing.

More Information

- Easy-to-read mapping display.
- All of the information on one screen.

...All in an easier-to-learn-and-use tool.



SR-20

Omni-Directional Antennas

The productivity improvements of the large mapping display are delivered by the omni-directional antennas. The antennas allow you to:

- Hold the locator in any orientation.
- Trace a line even when traffic or obstructions force you off the side of the line.
- Perform inductive and passive sweeps from any direction.
- Identify all energized lines in an area regardless of their orientation.

Accuracy Multiple underground lines and congested areas can cause signal distortion and make it difficult to get an accurate locate. With the SR-20, you will quickly see this distortion and improve accuracy with:

- Guidance Arrows, Signal Strength and Proximity Signal to verify the locate.
- Continual Depth and Current to verify you are still on the target line.
- Multiple Active and Advanced Passive Search Modes allow you to distinguish between the target and adjacent lines.

Active & Passive Search Modes

FOUR active trace frequencies in the SR-20 provide the versatility needed to diagnose complex locates. When combined with passive trace frequencies, now you can locate all signals radiated from **metallic lines** within a given range. The benefits are easy to see:

- Multiple active frequencies can be used to verify the locate.
- Multiple passive modes can be used to verify locates and find unknown lines.
- Expanded power and radio modes help the operator effectively sweep an area.



RIDGID SeekTech Advantages

	SeekTech SR-20	Conventional Locators
Display	Mapping	Digital/Analog
Line Direction	Displayed	N/A
Depth	Continual	Push Button
Current	Automatic	Push Button
Distortion	Displayed	N/A
Omni-Directional Antennas	Yes	No
All Needed Information	On One Screen	On Multiple Screens

Confidence Missing a mark can be costly. The information provided by the SR-20, combined with your expertise, allows you to work through difficult locates and mark lines with confidence.

- Instant feedback to determine a good or distorted signal.
- Find branch lines coming in from other directions.
- Find lines you didn't even know existed.

Better Information → More Knowledge → Greater Confidence!



RIDGID SeekTech Transmitters

Combine the RIDGID SeekTech SR-20 with the RIDGID SeekTech ST-305 or ST-510 Transmitter for your complete locate package.

The ST-305 and ST-510 transmit a signal onto a buried metallic line or cable in one of three ways:

- Direct-connect using attached clips.
- Induction from the optional Inductive Signal Clamp.
- Induction from the transmitter coils.

ST-305

- **Power** – 5 Watts of variable power.
– 3 frequencies.
- **Speed** – Audio feedback confirms a good circuit.
- **Versatility** – Transmits two frequencies simultaneously.



ST-510

- **Power** – 10 Watts of variable power.
– 5 frequencies.
- **Speed** – LCD provides instant visual feedback on line resistance, current flow and power.
- **Versatility** – Two 15m lead wires allow for extending the leads when needed.



Inductive Signal Clamp

- Fits around 100mm lines.
- LED lights verify operation and ring closure.
- Can extend by attaching rod to 1/4" size inch thread.



The SR-20's Mapping Display

Shows All The Information You Need For Faster, More Productive Locating.

Understanding the locate signal is critical to your speed, accuracy and confidence. The SR-20 continually displays four distinct locate indicators so you can:

- Quickly determine a good locate signal.
- See changes to the target's signal as they happen.
- Continually verify the quality of the locate.

...All on one screen.

Speed The added information provide by RIDGID locators helps operators cut through the confusion and offers greater certainty when locating.

- Changes in line direction are displayed as they happen.
- Maximum signal and left-right guidance arrows are continually displayed along with depth and current.
- Additional lines approaching from multiple directions can be quickly identified.



SR-20 Specifications

Weight:	1.8 kg
Power Source:	4-C Size Batteries
Locate Frequencies:	Active Modes: Line tracing frequencies: 128 Hz, 1 kHz, 8 kHz and 33 kHz Passive Modes: Power - 50/60 Hz; Radio - 4-15 kHz and 15-36 kHz Sonde Modes: 16 Hz, 512 Hz, 640 Hz, 16 kHz, 33 kHz

Transmitter Specifications

Specifications – ST-305

Frequencies:	1 kHz, 8kHz, 33 kHz
Output Power:	5 Watts, Nominal
Output:	Any 2 Frequencies
Weight:	1.1 kg
Maximum Open Circuit Voltage:	240 VAC 50/60 Hz
Power Source:	6-C Size Batteries

Specifications – ST-510

Frequencies:	128 Hz, 1 kHz, 8kHz, 33 kHz, 93 kHz
Output Power:	10 Watts, Variable
Display:	LCD
Weight:	4.0 kg
Maximum Open Circuit Voltage:	240 VAC 50/60 Hz
Power Source:	8-D Size Batteries

Ordering Information

Cat. No.	Description	Weight
21943	SeekTech SR-20 Line Locator	1.8 kg
21948	SeekTech ST-305 Transmitter (5 Watts)	1.1 kg
21953	SeekTech ST-510 Transmitter (10 Watts)	4.0 kg
20973	Inductive Signal Clamp	1.1 kg

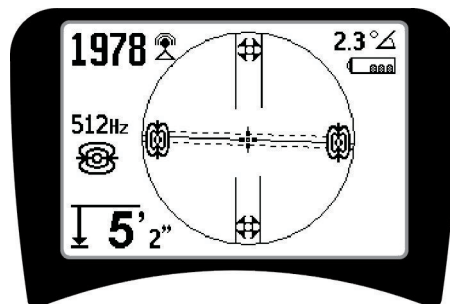


Sonde Locating

With the SR-20 you can easily locate a sonde.
It can trace 16 Hz, 512 Hz, 640 Hz, 16 kHz, 33 kHz sondes.



Remote sonde
Cat n° 16728



Just maximize the number on the screen.

To learn more or to schedule a demonstration, contact Ridge Tool